

## Drainback Tank Specifications



### Inner Tank (DBT & DBX models):

- **Stainless Steel** construction from type 304 alloy
- Seams and fittings are Inert Gas Arc welded
- Connection fittings are 3/4" female, NPT
- Each tank is provisioned for a vertical sight gauge with 1/2" female, NPT fittings
- Recommended working pressure is 40psi, maximum is 50 psi

### Outer Jacket & Insulation (DBT & DBX models):

- Rigid foam insulation poured and molded in place, 1" on sides and bottom, 1 1/2" on top (R7.2 per inch)
- White ABS plastic outer shell with white ABS vacuum molded end caps
- White polyethylene moldings around all fittings

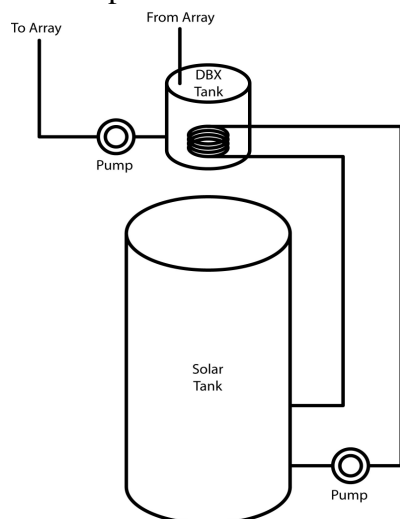
### Heat Exchangers (DBX models):

- Standard internal heat exchanger coils are .652" smooth copper tube with .025" wall thickness
- Connections are 1/2" female NPT
- Available surface areas: 3.4ft<sup>2</sup>, 6.2ft<sup>2</sup>, 9.8ft<sup>2</sup>
- Type "L" copper water tube available upon request

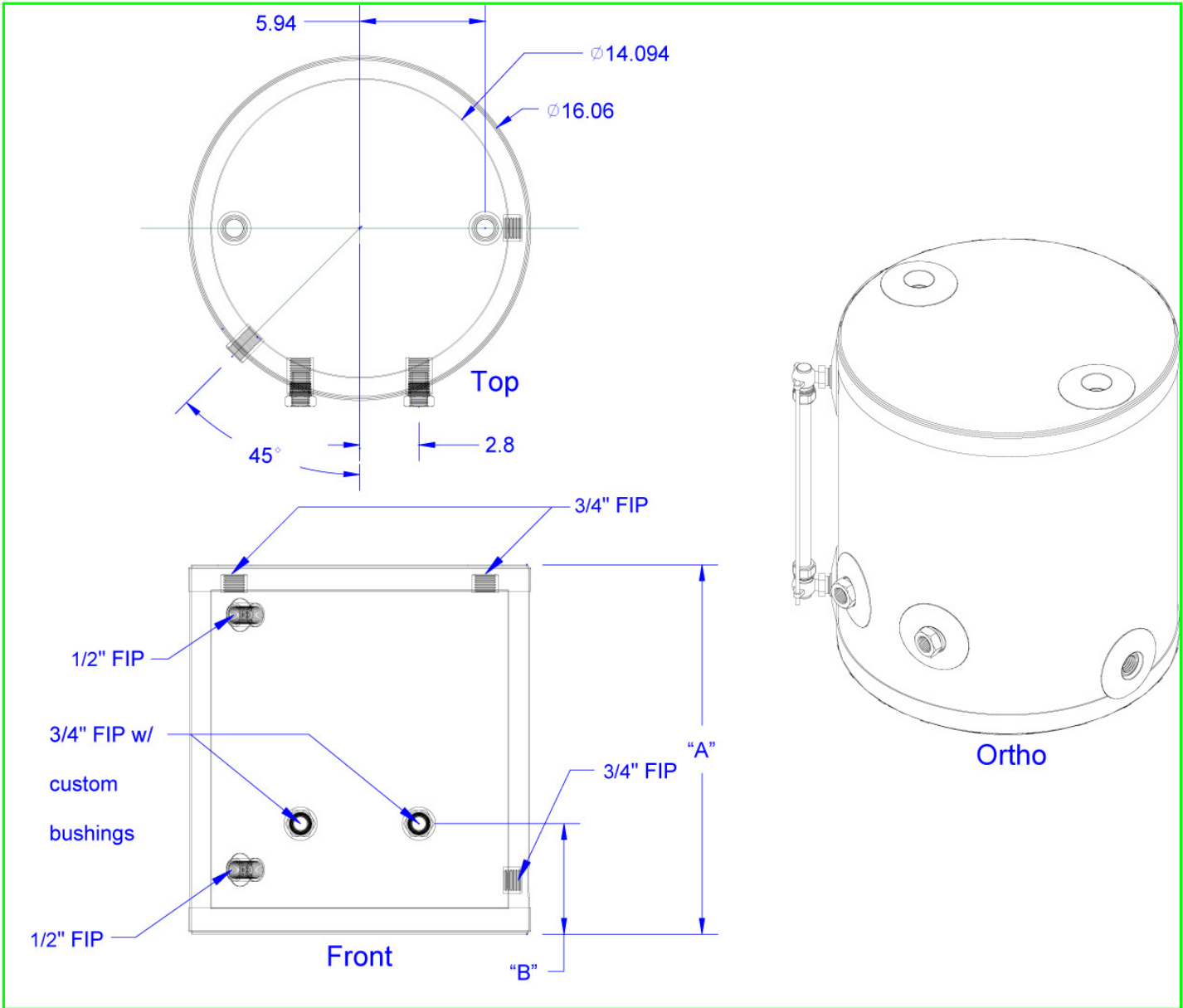
Part Number	Description	Tank Capacity	Dry Weight	Max Sq Ft. Collectors (HX Models)	Height/Diameter
DBT 10 SS	10 Gallon Drainback Tank	9.8 USg	21 lbs	-	17.5" / 16"
DBT 15 SS	15 Gallon Drainback Tank	14.7 USg	25 lbs	-	24.5" / 16"
DBX 1034 SS	10 Gallon Drainback Tank w/ 5/8" heat exchanger, 3.4 ft <sup>2</sup>	9.5 USg	24 lbs	64	17.5" / 16"
DBX 1062 SS	10 Gallon Drainback Tank w/ 5/8" heat exchanger, 6.2 ft <sup>2</sup>	9.2 USg	27 lbs	128	17.5" / 16"
DBX 1562 SS	15 Gallon Drainback Tank w/ 5/8" heat exchanger, 6.2 ft <sup>2</sup>	14.1 USg	31 lbs	128	24.5" / 16"
DBX 1598 SS	15 Gallon Drainback Tank w/ 5/8" heat exchanger, 9.8 ft <sup>2</sup>	13.8 USg	35 lbs	192	24.5" / 16"

These incredible drainback tanks can be configured for use in a variety of ways ....

- As retrofit to an existing water heater
- As a reservoir for heat exchanger tanks
- As a complete new Solar DHW system



**DBX Units can convert any standard tank to a solar water heater...**



Tanks Size	Dim. "A"	Dim. "B"
10 Gal Models	17.5"	5.2"
15 Gal Models	24.5"	7.5"
Tanks Size	Dim. "A"	Dim. "B"
10 Gal Models	17.5"	5.2"
15 Gal Models	24.5"	7.5"



**Solar Energy, Inc.**  
**5191 Shawland Rd.**  
**Jacksonville, FL 32254**